

**SPECIFICATION**

**A: MATERIAL:**

- 1.BODY: PBT
- 2.TERMINAL: Cu PLATED Sn
- 3.PIN: Cu PLATED Ni

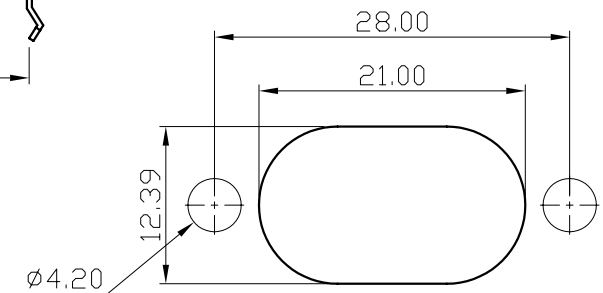
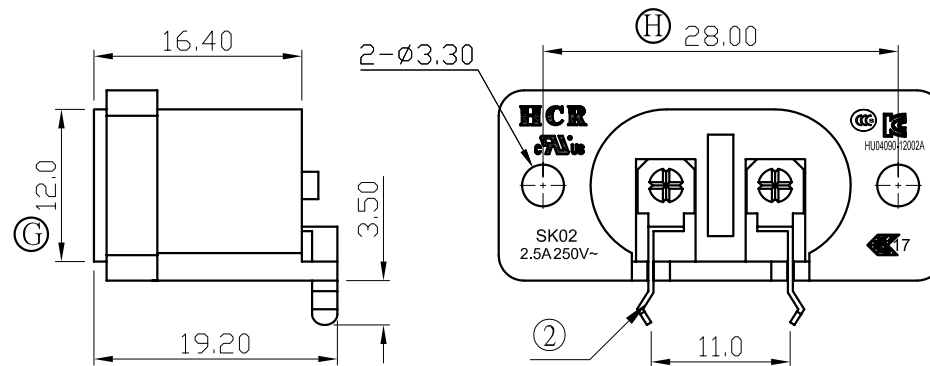
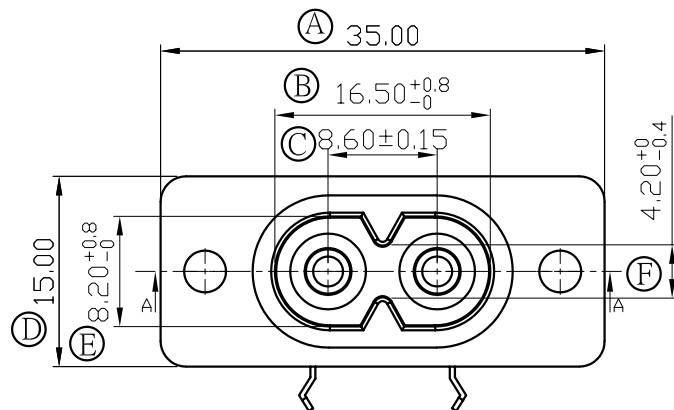
**B: CHARACTERISTICS:**

- 1.RATING: 2.5A 250V~(C-ULus, ENEC & CCC & KC)
- 2.INSULATION RESISTANCE:100MΩ MIN,AT 500VDC
- 3.ELECTRIC STRENGTH : 3000 VAC/1MIN,LEAKAGE CURRENT UNDER 0.5mA

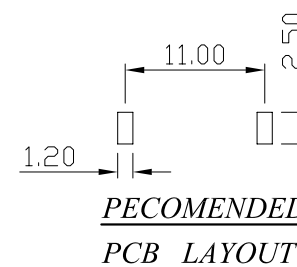
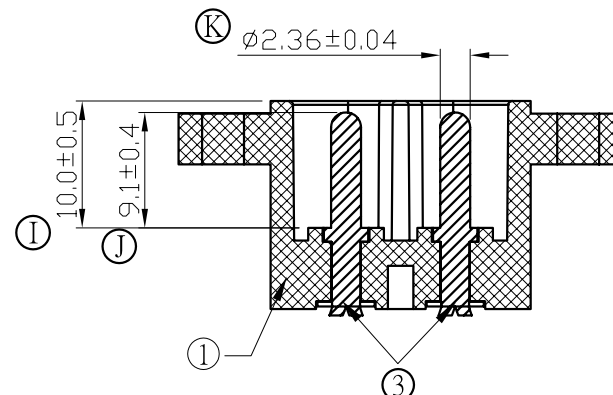
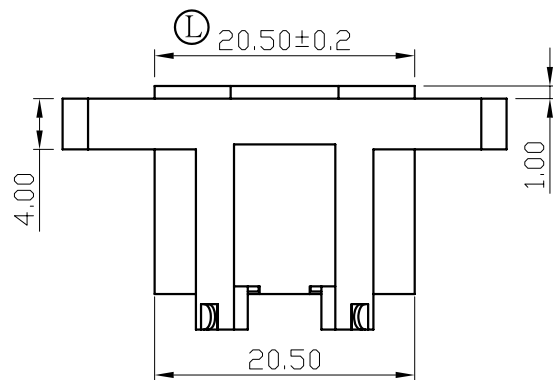
**C: APPROVALS: C-ULus, ENEC & CCC & KC**

**D: MATERIAL USED MUST BE COMPLY WITH HQI-0010**

**E: CAN MEET ROHS,ROHS2.0**



**PECOMENDED  
PANEL CUT-OUT**



TOLERANCES UNLESS OTHERWISE 未指定容許差尺寸之公差	
BASIC DIMENSIONS TOLERANCES	
UP TO 10 (10以下)	±0.15
ABOVE 10 TO 30(10-30)	±0.3
ABOVE 30 TO 100 (30-100)	±0.5
ANGULAR DIMENSIONS(角度)	±5°
DIMENSION UNIT	mm

東莞市華之力電子有限公司 DONGGUAN HCR ELECTRONICS CO., LTD.

2					核准 APPROVED BY	AaronJin	日期 DATE	20121105	投影法 PROJECT		機型 PART NAME	INLET SOCKET	
1					校對 CHECKED BY	RZTang	日期 DATE	20121105	比例 SCALE	1:1	型號 PART NO	SK02	
0	2012/08/15	新制訂	A0	GangHe	RZTang	繪圖 DRAWN BY	GangHe	日期 DATE	20121105	路徑 DWG NO	E:\成品圖 \SK02\820066	料號 ITEM NO	SK02-3201113222
NO	DATE	REVISION DESCRIPTION	REVISEON	DRAWN	APPROVED								